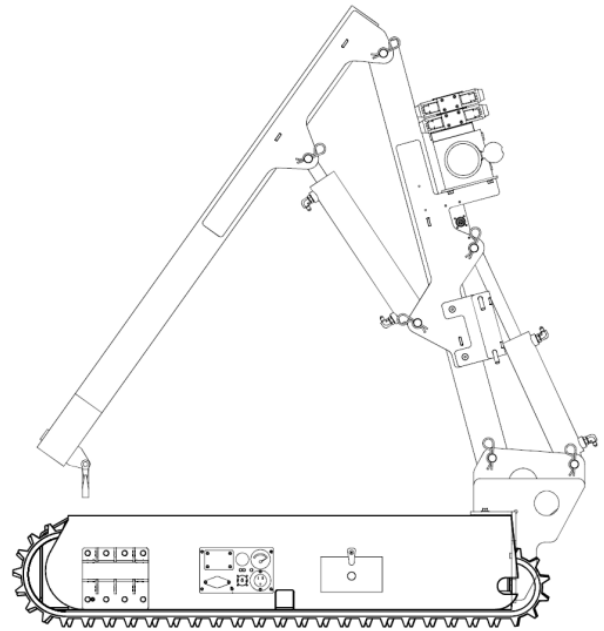
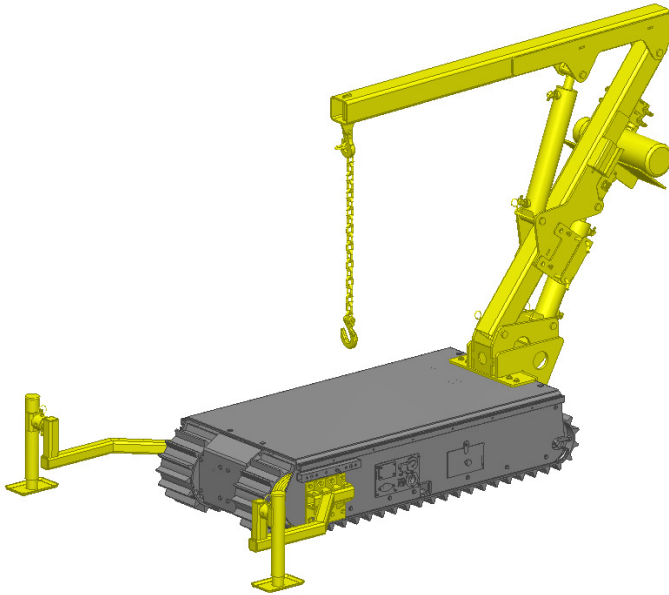


JIB CRANE - CAPACITY 1000 LB

TECHNICAL SPECIFICATIONS



Storage position

PHYSICAL CHARACTERISTICS

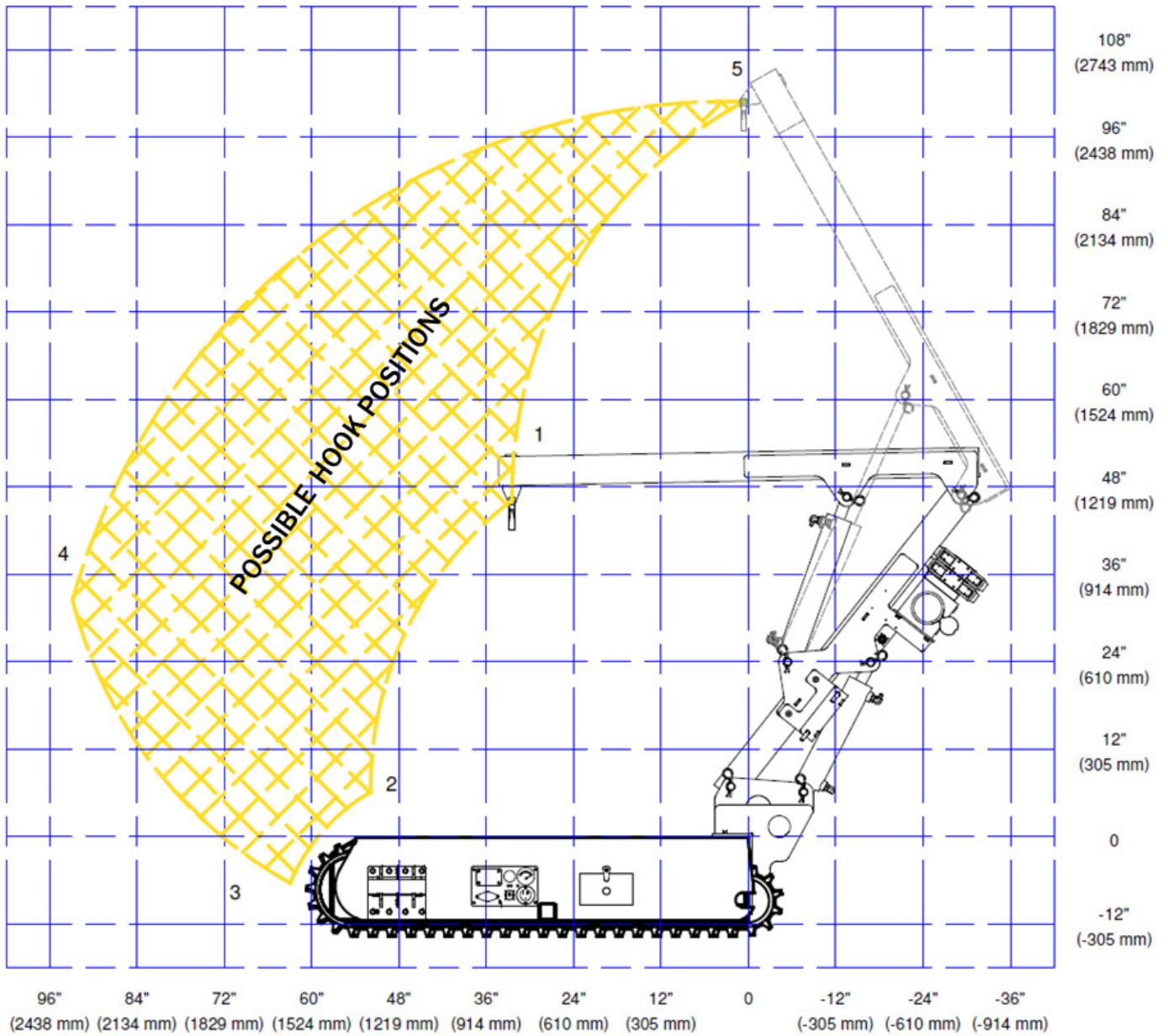
Material	Steel	
Distance of the stabilizers* In front of the Track-O	15 "	381 mm
Width without stabilizers*	31 1/2 "	800 mm
Width with stabilizers*	73 1/4 "	1861 mm
Distance between stabilizers*	49 1/4 "	1251 mm
Height [storage]*	75 1/2 "	1918 mm
Weight	622 lb	283 kg
Lifting capacity	1000 lb	454 kg
Load bearing cap. [transport]* (flat surface)	1000 lb	454 kg
Load bearing cap. [transport]* (inclined surface)	400 lb	182 kg
Max. inclination [transport]*	30°	
Stabilizer (2x)	Removable (jack screw type)	
Control	Wired	

COMPATIBLE WITH :

- Twin-Track 66
- Heavy-Duty
- Cross-Country

* These specifications have been tested with a Twin-Track 66 model. Contact your dealer to know the specifications of this accessory when it is used with other Track-O models.

The information contained in this document is subject to change without notice.



POSITION	REACH	HEIGHT
1	32 1/2 " 826 mm	46 1/4 " 1175 mm
2	51 7/8 " 1318 mm	6 1/8 " 156 mm
3	63 " 1600 mm	-6 1/4 " -159 mm
4	92 7/8 " 2359 mm	32 1/2 " 826 mm
5	5/8 " 16 mm	100 7/8 " 2562 mm