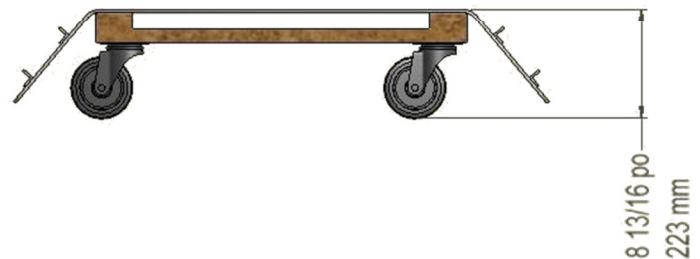
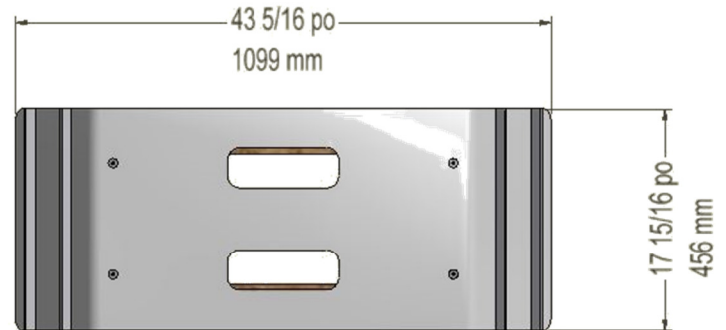
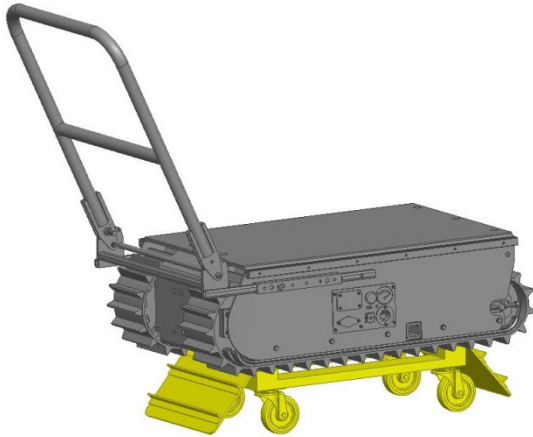


TRACK-O MOVING TROLLEY

TECHNICAL SPECIFICATIONS



PHYSICAL CHARACTERISTICS

Material	Aluminum and wood	
Length	43 5/16 in	1099 mm
Width	17 5/16 in	456 mm
Height	8 13/16 in	223 mm
Weight	36 lb	17 kg
Load bearing capacity	900 lb	410 kg

COMPATIBLE WITH :

- Track-O 75
- Twin-Track 47
- Twin-Track 66

The information contained in this document is subject to change without notice.