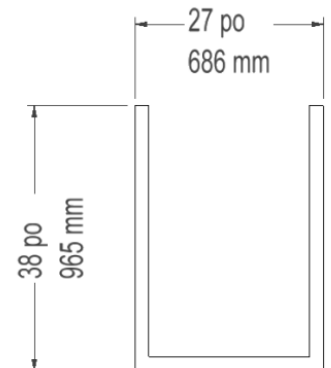
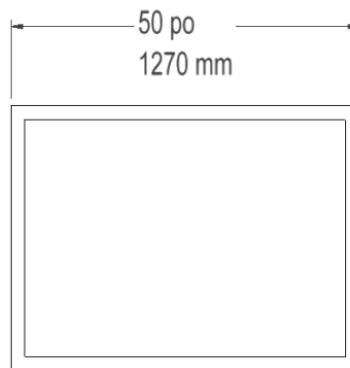
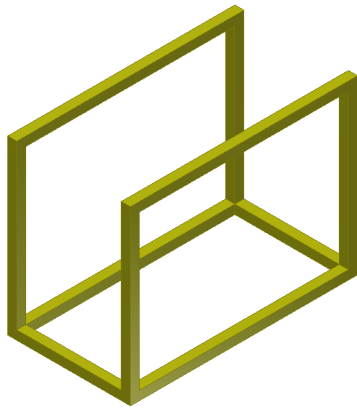
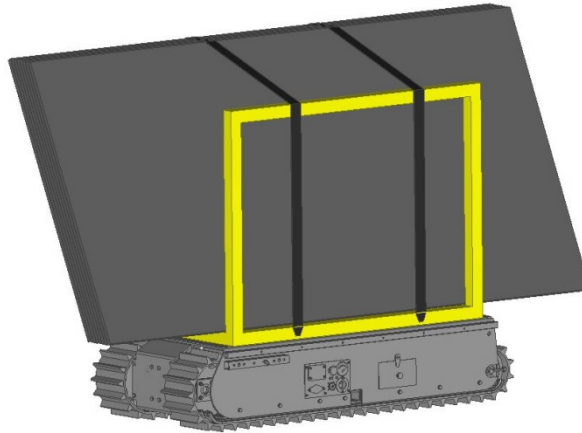


PANEL SUPPORT

TECHNICAL SPECIFICATIONS



PHYSICAL CHARACTERISTICS

Material	Steel	
Length	50 in	1270 mm
Width	27 in	686 mm
Height	38 in	965 mm
Weight	150 lb	68 kg
Load bearing capacity * (inclined surface)	950 lb at 40°	432 kg at 40°
Load bearing capacity * (on stairs)	950 lb at 40°	432 kg at 40°
Load bearing capacity * (flat surface)	2050 lb	932 kg

COMPATIBLE WITH :

- Track-O 75
- Twin-Track 47
- Twin-Track 66
- Heavy-Duty
- Cross-Country

* These load bearing capacities have been tested with a Twin-Track 66 model. Contact your dealer to know the load bearing capacities of this accessory when it is used with other Track-O models.

The information contained in this document is subject to change without notice.