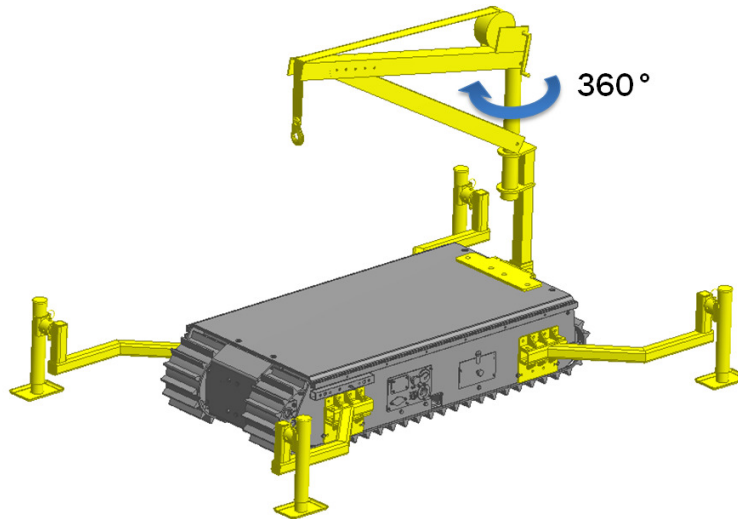


# PORTABLE JIB CRANE 48"

## 500 LB CAPACITY

### TECHNICAL SPECIFICATIONS



#### PHYSICAL CHARACTERISTICS

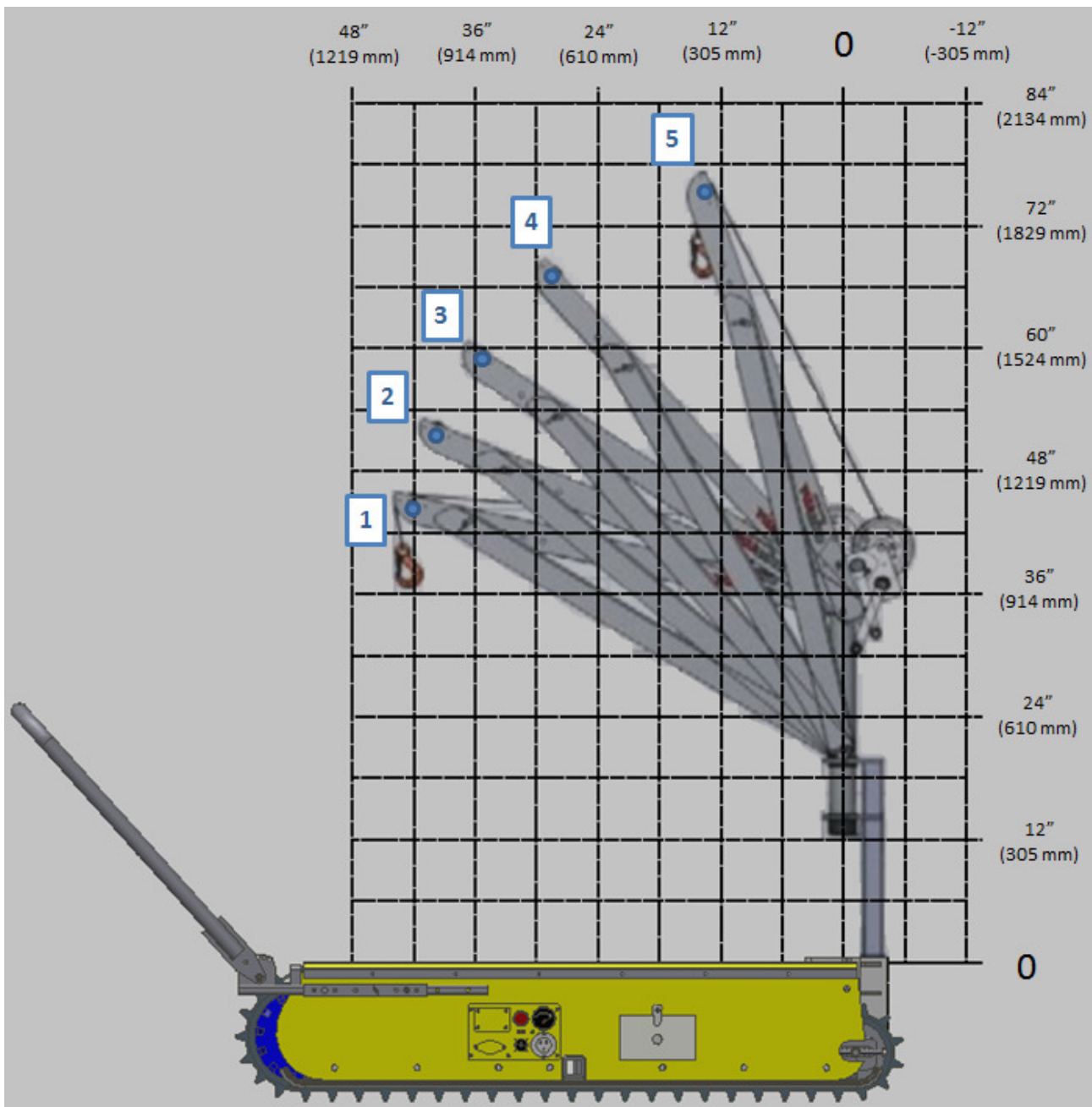
Material	Aluminum and steel	
Length with stabilizers*	93 3/4 "	2381 mm
Width with stabilizers*	73 1/4 "	1861 mm
Width without stabilizers*	31 1/2 "	800 mm
Distance between stabilizers*	49 1/4 "	1251 mm
Weight (jib crane only)	40 lb	18 kg
Weight (support and stabilizers)*	260 lb	118 kg
Lifting capacity	500 lb	227 kg
Jib crane rotation	360°	
Stabilizers (x4)	Removable (jack screw type)	
Hoist	- Manual - Electric (option)	

#### COMPATIBLE WITH :

- Track-O 75
- Twin-Track 47
- Twin-Track 66
- Heavy Duty
- Cross-Country

\* These specifications have been tested with a Twin-Track 66 model. Contact your dealer to know the specifications of this accessory when it is used with other Track-O models.

*The information contained in this document is subject to change without notice.*



POSITION	REACH		HEIGHT	
1	42 1/8 "	1070 mm	44 3/4 "	1137 mm
2	39 3/4 "	1010 mm	51 3/4 "	1314 mm
3	35 1/2 "	902 mm	59 "	1499 mm
4	28 3/8 "	721 mm	67 "	1702 mm
5	13 1/2 "	343 mm	75 3/8 "	1915 mm