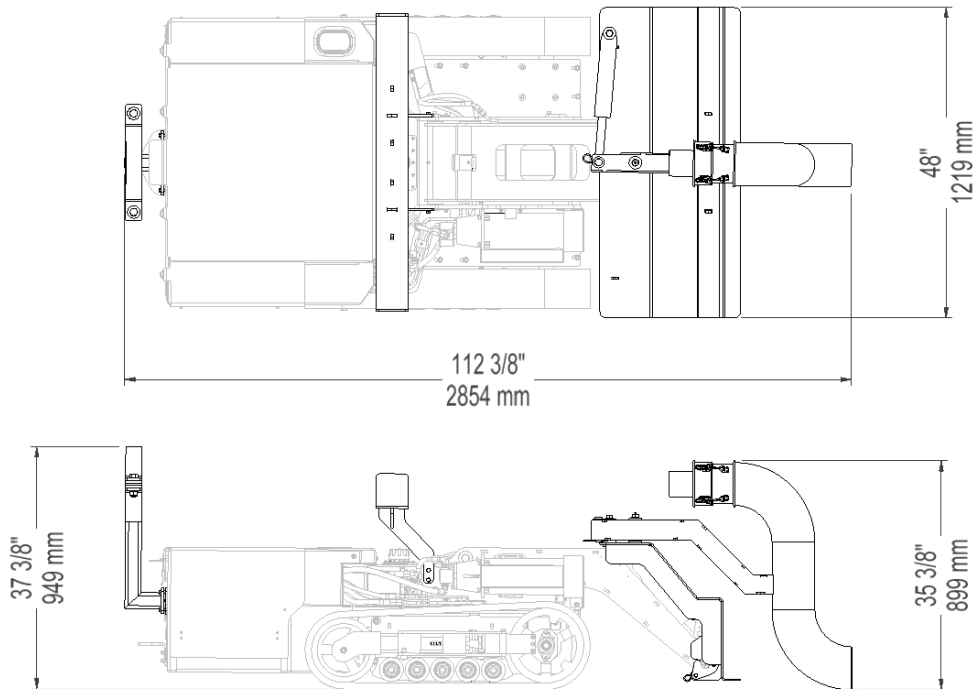
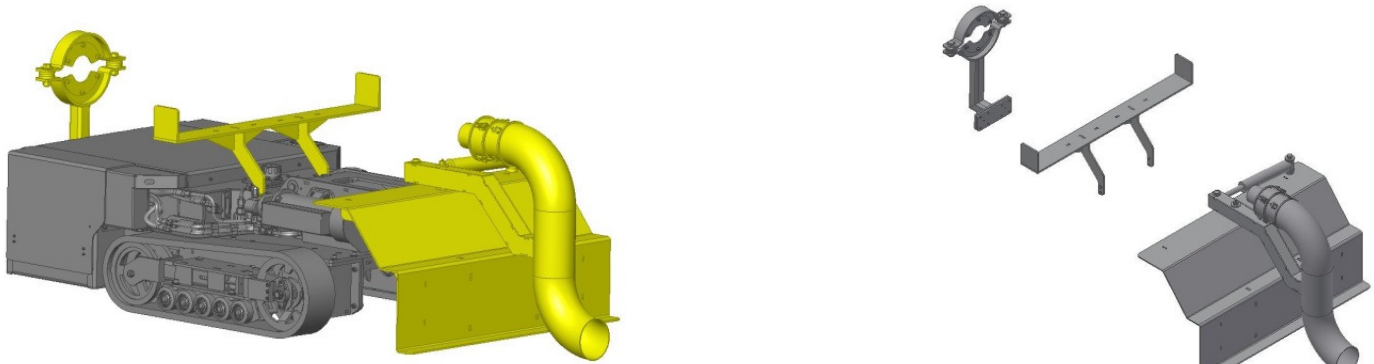


SUCTION HOSE ATTACHMENT

TECHNICAL SPECIFICATIONS



PHYSICAL CHARACTERISTICS

Material	Steel and stainless steel	
Length	112 3/8 in	2854 mm
Width	48 in	1219 mm
Height	37 3/8 in	949 mm
Weight	335 lb	152 kg

COMPATIBLE WITH :

- MINIDOZER M-48
- MINIDOZER AL48

The information contained in the document is subject to change without notice.